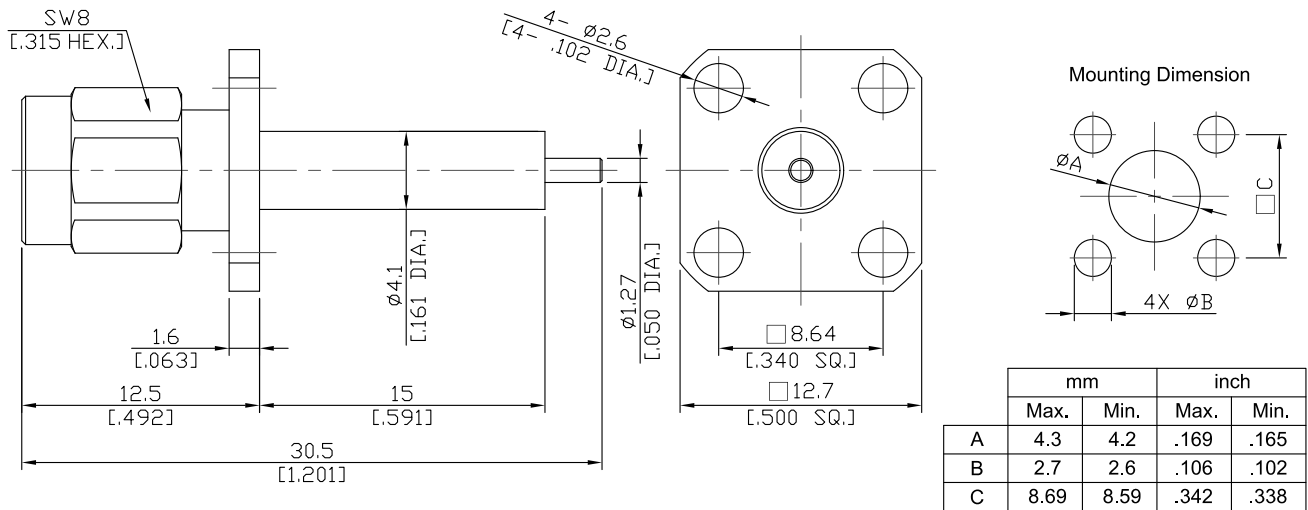


SMA Plug (Male) Connector Solder Attachment 4 Hole Flange Mount
Stub Terminal, 8.64mm (.340 inch) Hole Spacing, DC-18GHz, VSWR1.30

SMA1GFA50-3050A / 9XX



All dimensions are in mm [inch]

Tolerances according to DIN ISO 2768-mH

Interface

According to

IEC 60169-15; CECC 22110; MIL-PRF-39012; MIL-STD-348B/310; EN 122110

Electrical Data

Impedance	50 Ω
Frequency	DC to 18 GHz
VSWR (Return Loss)	≤ 1.30 (≥ 17.69 dB)
Insertion Loss	≤ 0.05 x √F (GHz) dB
Insulation Resistance	≥ 5 GΩ
Center Contact Resistance	≤ 3 mΩ
Outer Contact Resistance	≤ 2 mΩ
Test Voltage	1000 V rms
Working Voltage (at sea level)	480 V rms
Power Handling (at 20 °C, sea level, VSWR 1.0)	≤ 200 W @ 2 GHz
-VSWR in practical applications depends on installation, PCB layout, and cavity design.-	

Material And Plating

Piece Parts	Material	Plating
Centre contact	Beryllium Copper	Gold plating (Non-magnetic nickel-phosphorus underplating)
Body	Stainless Steel	Passivated
Insulator	PTFE	
Gasket	Silicone Rubber	
Coupling nut	Stainless Steel	Passivated

SMA Plug (Male) Connector Solder Attachment 4 Hole Flange Mount
Stub Terminal, 8.64mm (.340 inch) Hole Spacing, DC-18GHz, VSWR1.30

SMA1GFA50-3050A / 9XX

Mechanical Data

Coupling mechanisms	Screw-On
Mating Cycles	≥ 500
Centre Contact	Soldered
Terminal Type	Stub
Captivated Type	Mechanical
Center Contact Captivation: axial	≥ 27 N
radial	≥ 3 Ncm
Coupling Test Torque	max. 1.7 Nm
Recommended Torque	0.8 Nm to 1.1 Nm

Environmental Data

Temperature Range	-65°C to +165°C
Thermal shock	MIL-STD-202, Meth. 107, Cond. B
Corrosion	MIL-STD-202, Meth. 101, Cond. B
Vibration	MIL-STD-202, Meth. 204, Cond.D
Shock	MIL-STD-202, Meth. 213, Cond. I
Moisture Resistance	MIL-STD-202, Meth. 106
RoHS	compliant

Packing

Single or 100